

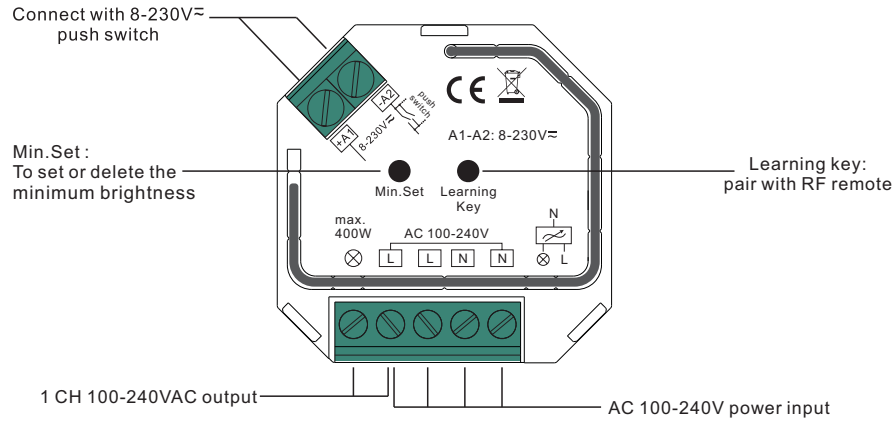
AC Phase Cut RF + Push Dimmer

09.09SAP.04734



Important: Read All Instructions Prior to Installation

Function introduction



Product Data

Input Voltage	Output Voltage	Output Power	Size(LxWxH)
100-240VAC	100-240VAC	1x400W max	45.5x45x20.3mm

- Radio Frequency : 868/915/434mhz
- Waterproof grade: IP20

- 100-240VAC Wide Input and Output Voltage
- 1 Channel Output, Up to 400W
- Input and Output with Screw Terminals, Safe and Reliable
- Triac Dimmable and Mosfet Dimmable
- Trailing edge dimming
- Innovative minimum brightness setting function
- Single Wire Push Switch Input for Push Dim Function
- Great Compatibility with Universal 8V-230V~ Input Push Switches
- Great compatibility with a variety of Perfect RF series single color remote controls
- To dim and switch single color dimmable LED lamps, traditional incandescent and halogen lights
- Mini Size, Easy to be Installed into a standard 86*86mm wall box

Safety & Warnings

- DO NOT install with power applied to device.
- DO NOT expose the device to moisture.

Operation

Do wiring according to connection diagram.

Pair RF Receiver with RF remote:

1. Connect and wire up the RF receiver correctly, power on.
2. Turn on the remote, click the “**Learning Key**” button on receiver, immediately click a zone number to pair the receiver to the specified zone if the remote is a multi-zone controller (if it is a single zone remote, this step is unnecessary), then touch the color wheel or slider bar on the remote (if the remote does not have color wheel or slider bar, click or touch any keys), the connected led light on receiver flickers twice, which means well paired.

Note: one receiver can be paired with max 8 remote controls.

Delete the pairing:

1. Wire up the RF receiver correctly, power on.
2. Hold down the “**Learning Key**” button on receiver for over 3 seconds until the connected led light on receiver flickers twice, which means well deleted.

Setting minimum brightness:

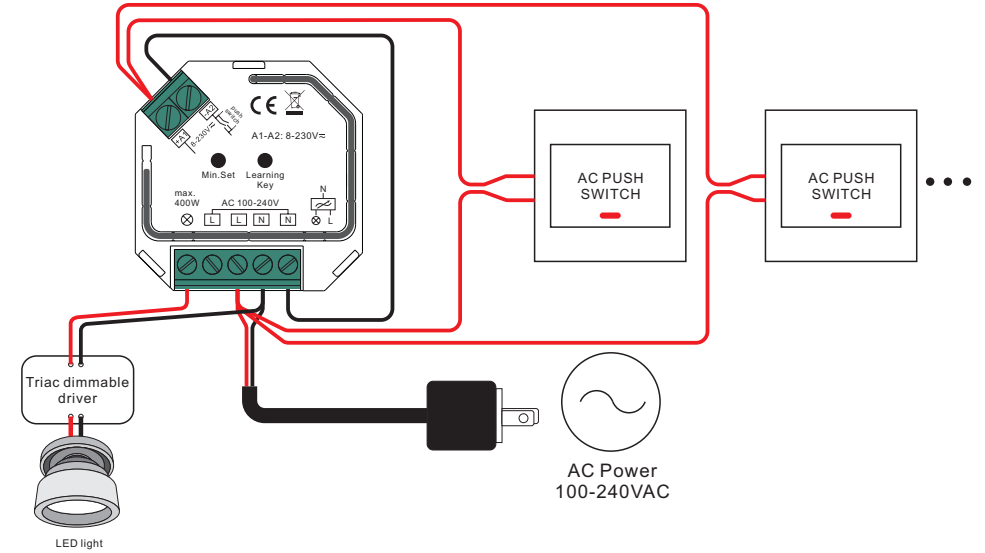
Adjust brightness to a level you would like, then click the “**Min.Set**” key, once set a minimum brightness, the light can only be dimmable between this minimum brightness and maximum brightness.

Delete the minimum brightness:

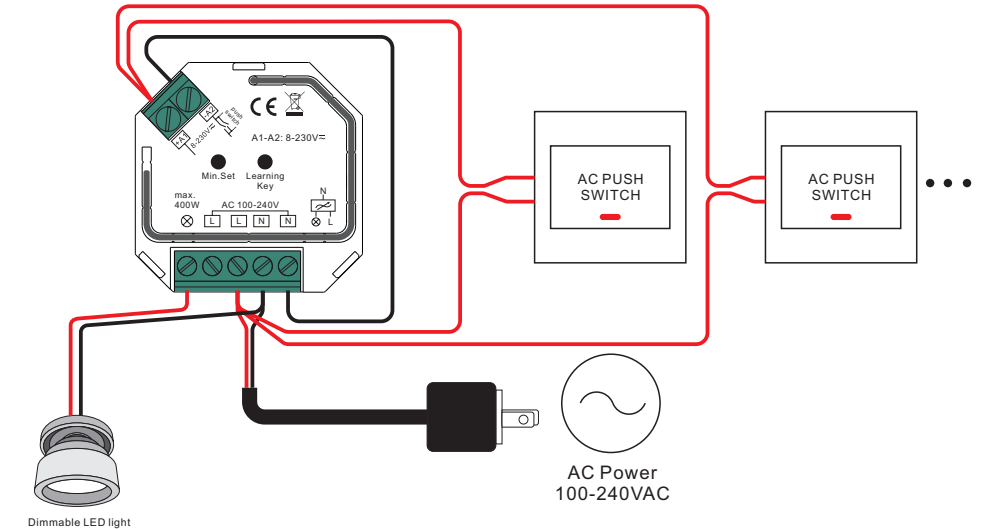
Adjust the brightness to maximum level, then hold the “**Min.Set**” key for 3s to delete the minimum brightness.

Wiring diagram

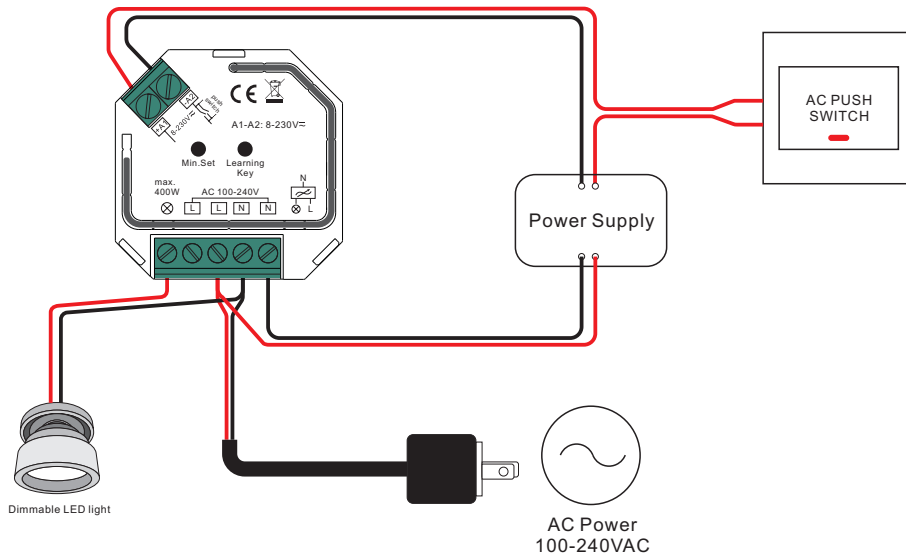
(1)With triac dimmable driver



(2)With dimmable LED driver

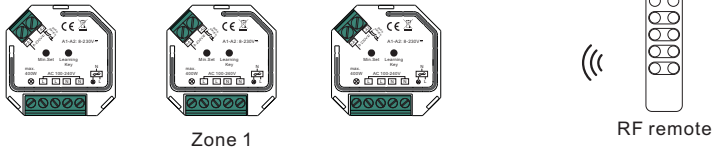


(3)With DC push switch



If you use multiple receivers, you have two choices:

Option 1: have all the receivers in the same zone, like zone 1



Option 2: have each receiver in a different zone, like zone 1, 2, 3 or 4

