

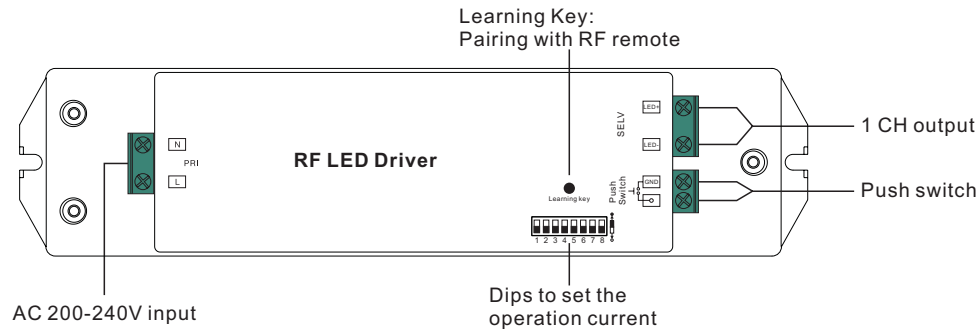
50W RF LED Driver(Constant current)

09.009CC.04006



Important: Read All Instructions Prior to Installation

Function introduction



Product Data

Output	Selectable Current	250mA	300mA	350mA	400mA	450mA	500mA	600mA	700mA
	DC Voltage Range	15-48V	15-48V	15-48V	15-48V	15-48V	15-48V	15-48V	15-48V
	Selectable Current	800mA	900mA	1000mA	1100mA	1200mA	1300mA	1400mA	1500mA
	DC Voltage Range	15-48V	15-48V	15-48V	15-46V	15-41V	15-38V	15-35V	15-33V
Input	Rated Power	50W							
	Voltage Range	200-240V AC							
	Frequency	50/60Hz							
	Power Factor (Typ.)	>0.9							
	Efficiency (Typ.)	87% @ 230VAC							
Protection	Input Current	0.27A @ 230VAC							
	Short Circuit	Yes							
	Over Voltage	Yes							
Environment	Over Load	Yes							
	Working Temp.	-20°C ~ +45°C							
	Max. Case Temp.	85°C							
	Working Humidity	10% ~ 95% RH non-condensing							
	Storage Temp. & Humidity	-40°C ~ +80°C, 10% ~ 95% RH							

Safety & EMC	Safety Standards	In compliance with EN 55015, EN 61000-3-2, EN 61000-3-3, EN 61347-1, EN 61347-2-13, EN 62384, EN 61547
Others	MTBF	30,000 hours @ 230VAC at full load and 25°C ambient temperature
	Dimension	210*50*32mm (L*W*H)

Dips to set the operation current



	1	2	3	4	5	6	7	8
250mA	○	○	○	○	○	○	○	○
300mA	○	○	○	○	○	○	○	○
350mA	○	○	○	○	○	○	○	○
400mA	○	○	○	○	○	○	○	○
450mA	○	○	○	○	○	○	○	○
500mA	○	○	○	○	○	○	○	○
600mA	○	○	○	○	○	○	○	○
700mA	○	○	○	○	○	○	○	○

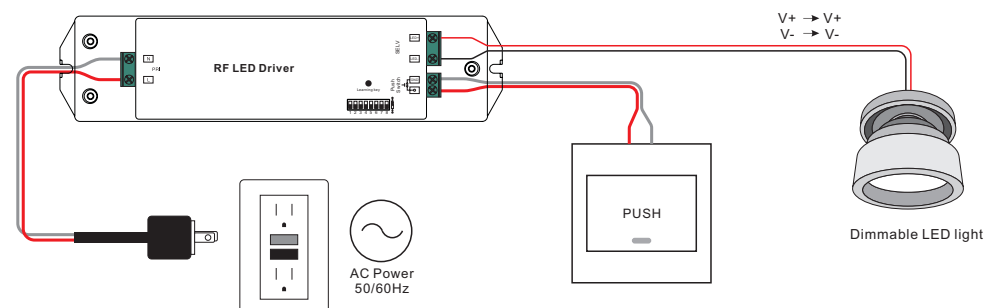
	1	2	3	4	5	6	7	8
800mA	○	○	○	○	○	○	○	○
900mA	○	○	○	○	○	○	○	○
1000mA	○	○	○	○	○	○	○	○
1100mA	○	○	○	○	○	○	○	○
1200mA	○	○	○	○	○	○	○	○
1300mA	○	○	○	○	○	○	○	○
1400mA	○	○	○	○	○	○	○	○
1500mA	○	○	○	○	○	○	○	○

- Dimmable LED driver with RF control
- Max. output power 50W
- 1 channel 250-1500mA constant current output
- Dips to set the operation current
- Class II power supply, full isolated plastic case
- High power factor and efficiency
- To switch and dim single color LED lighting
- Compatible with a variety of single color RF remotes
- IP20 rating
- Suitable for indoor LED lighting applications
- Radio Frequency : 868/915/434mhz
- 3 years warranty

Safety & Warnings

- DO NOT install with power applied to device.
- DO NOT set the operation current with power applied
- DO NOT expose the device to moisture.

Wiring Diagram



Operation

Do wiring according to connection diagram.

Pair RF Receiver with RF remote:

1. Connect and wire up the RF receiver correctly, power on.
2. Turn on the remote, click the “**Learning Key**” button on receiver, immediately click a zone number to pair the receiver to the specified zone if the remote is a multi-zone controller (if it is a single zone remote, this step is unnecessary), then touch the color wheel or slider bar on the remote (if the remote does not have color wheel or slider bar, click or touch any keys), the connected led light on receiver flickers twice, which means well paired.

Note: one receiver can be paired with max 8 remote controls.

PUSH DIM:

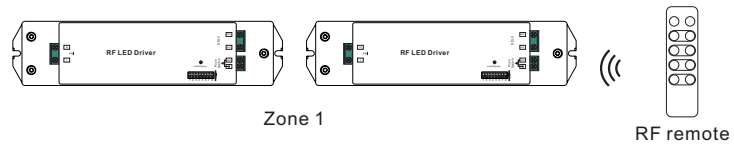
When connected to Push Switch, click push switch for switch ON/OFF,hold push switch to dim up/down the brightness

Delete the pairing:

1. Wire up the RF receiver correctly, power on.
2. Hold down the “**Learning Key**” button on receiver for over 3 seconds until the connected led light on receiver flickers twice, which means well deleted.

If you use multiple receivers, you have two choices:

Option 1: have all the receivers in the same zone, like zone 1



Option 2: have each receiver in a different zone, like zone 1, 2, 3 or 4

